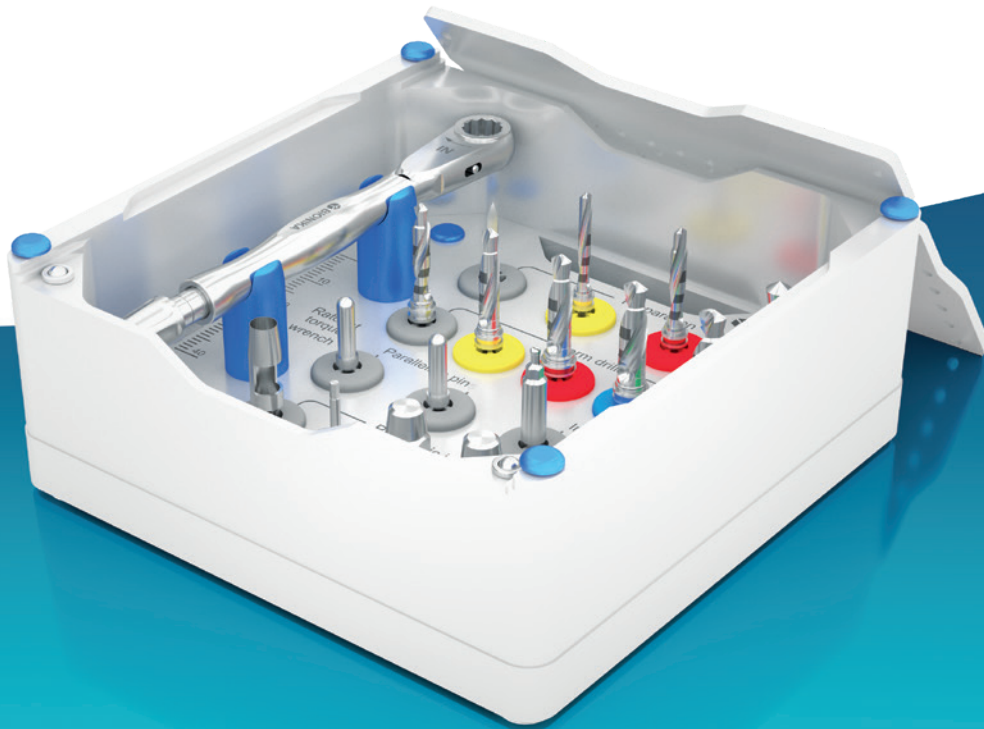




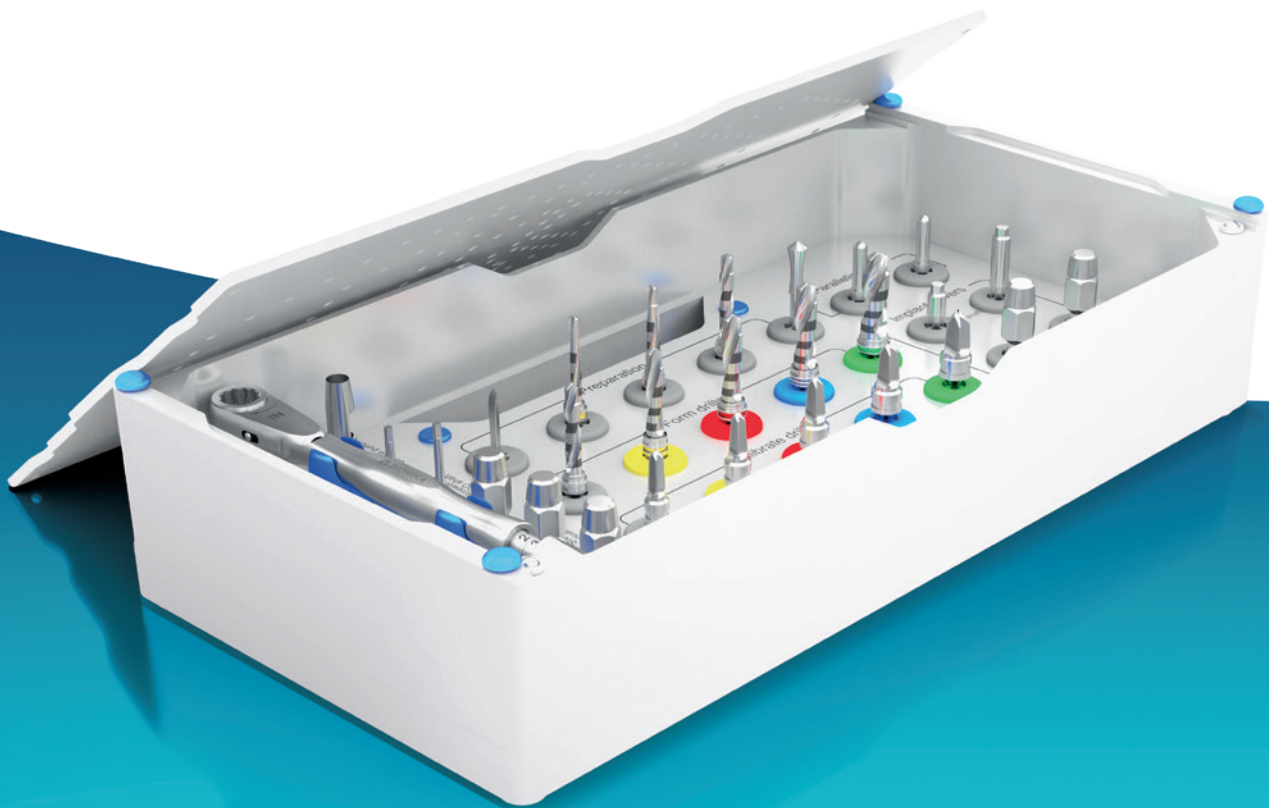
INSTRUMENT KITS

DENTAL INSTRUMENTS



INSTRUMENT KITS | TABLE OF CONTENTS

About the company.....	3
Large Instrument Kit	4
Small instrument kit.....	6
Mini instrument kit.....	8
Drills	10
Ratchet torque wrench	11





ABOUT THE COMPANY | BIONIKA

BIONIKA Medline Orvostechnikai Kft. was established in 1989. Its predecessor was founded in 1989. The owners of the company are Swedish and Hungarian citizens. We have a 30-year-experience in the field of medical instruments and implant development, production and trade.

According to our objective and perception, we attach great importance to the word „BIONIKA”, which marks a scientific thinking on the boundaries of biology, technology and electronics that combines these three areas in our researching and developing work.

Clinical and technological experiences:

The continuous process, combination and utilization of clinical and technological experiences in development contributes to our success, up to the production base. Here you will find the best solutions and constructions suited to customer needs, which are under continuous development.

Development:

The owners of BIONIKA put great emphasis on continuous product and technological research and development. Our products are developed in close collaboration with doctors and engineers, enabling us to ensure the world-class quality and practical utilization.

Quality:

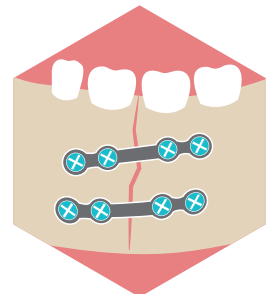
The quality of the products expected by our customers is guaranteed by design, manufacturing and quality management according to the harmonized European Union laws. The BIONIKA Medline Kft. is operated according to the EN ISO 9001 and the EN ISO 13485 quality management system. Our products are provided with CE marks.

Guarantee:

After inserting the implant - the risk of the ossification process is assumed by BIONIKA, independently of cause and effect relationship - exchange guarantee is ensured within one year after the purchase. Otherwise, we provide a long-term, 10-year guarantee for our products.



DENTISTRY



ORAL SURGERY



TRAUMATOLOGY



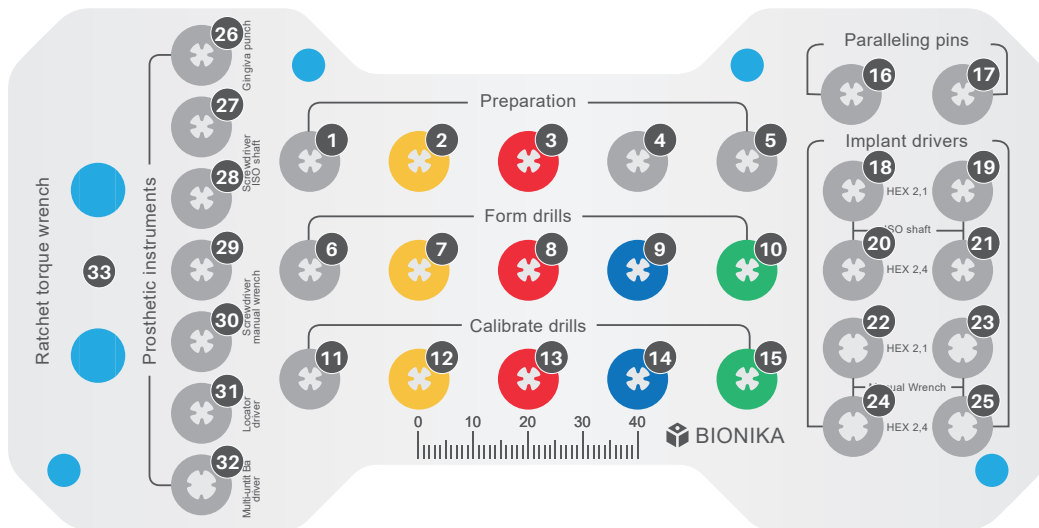
ORTHOPEDICS

BIONIKA | LARGE INSTRUMENT KIT

Our instrument kits consist of the inevitable instruments for dental implantation. The Large Instrument Kit includes 33 instruments, in a wide range of sizes in order to get versatile utilization. The plates are built up in surgical

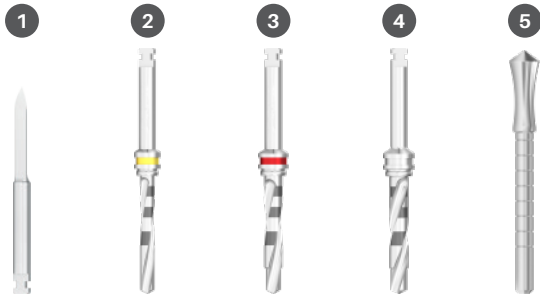
technique order and labeling makes their utilization easier. The plate is also suitable for sterilizing the instruments. The sterilizing can be done separately, as the plate can be uplifted from the box, or together with the box.

The layout of the BIONIKA **Large Instrument Kit** elements



Preparation

- 1. Spear-pointed drill
- 2. Pre-drill Ø2.0
- 3. Pre-drill Ø2.5
- 4. Pre-drill Ø 2.7
- 5. Depth gauge



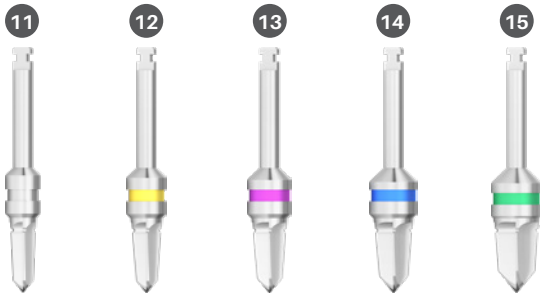
Thread formation - Core drill

- 6. Ø 2.8
- 7. Ø 3.2
- 8. Ø 3.7
- 9. Ø 4.2
- 10. Ø 4.7



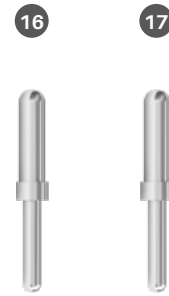
Thread calibration - Thread calibrator drills

- 11. Ø 3.2
- 12. Ø 3.7
- 13. Ø 4.2
- 14. Ø 4.7
- 15. Ø 5.5



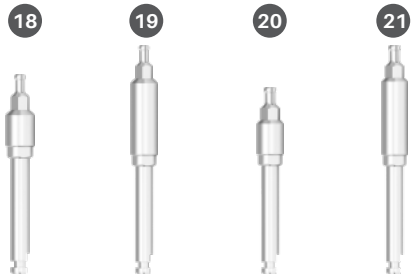
Paralleling pins

- 16. Paralleling pin, slim
- 17. Paralleling pin, thick



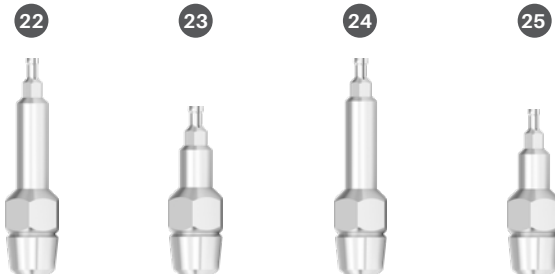
Implant drivers, mechanical

- 18. 6LT 2,1 x L6
- 19. 6LT 2,1 x L12
- 20. 6LT 2,4 x L6
- 21. 6LT 2,4 x L12



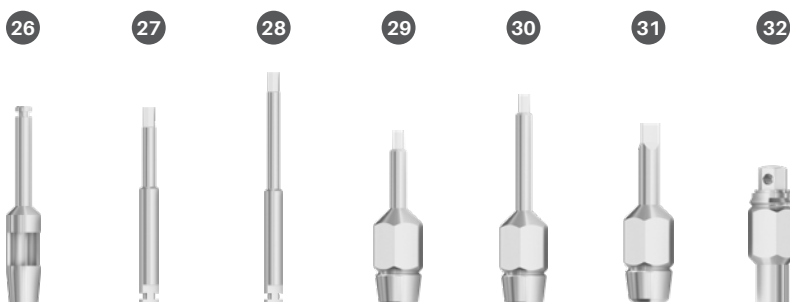
Implant drivers, manual

- 22. 6LT 2,1 x L6
- 23. 6LT 2,1 x L12
- 24. 6LT 2,4 x L6
- 25. 6LT 2,4 x L12



Prosthetic tools

- 26. Gingiva punch Ø4,0xL15
- 27. Head wrench, mechanical 6Lt1,27xL10
- 28. Head wrench, mechanical 6Lt1,27xL15
- 29. Head wrench, manual 6Lt1,27xL10
- 30. Head wrench, manual 6Lt1,27xL15
- 31. Locator key
- 32. Multi-unit/ ball-joint key 6LT2,7



Ratchet torque wrench

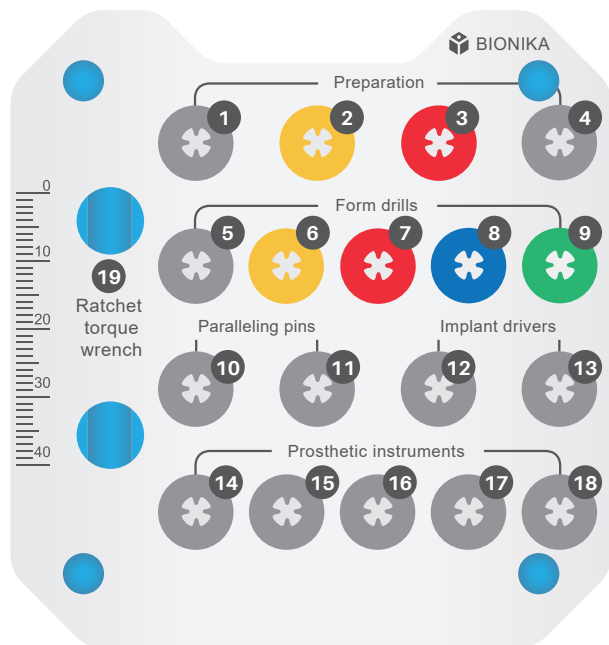
- 33. Ratchet torque wrench



BIONIKA | SMALL INSTRUMENT KIT

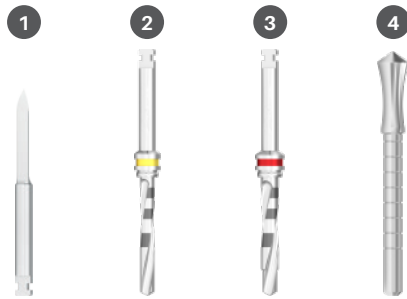
The **Small Instrument Kit** produced by BIONIKA is a practical and economical solution. They include the inevitable instruments for surgeries as in the large instrument kit, only in smaller range of sizes. The small instrument kit consists of 19 instruments.

The layout of the BIONIKA **Small Instrument Kit** elements



Preparation

- 1. Spear-pointed drill
- 2. Pre-drill $\varnothing 2.0$
- 3. Pre-drill $\varnothing 2.5$
- 5. Depth gauge



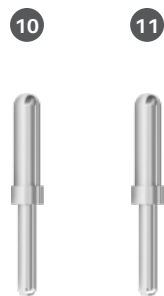
Thread formation - Core drill

- 6. $\varnothing 2.8$
- 7. $\varnothing 3.2$
- 8. $\varnothing 3.7$
- 9. $\varnothing 4.2$
- 10. $\varnothing 4.7$



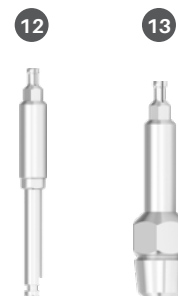
Paralleling pins

- 16. Paralleling pin, slim
- 17. Paralleling pin, thick



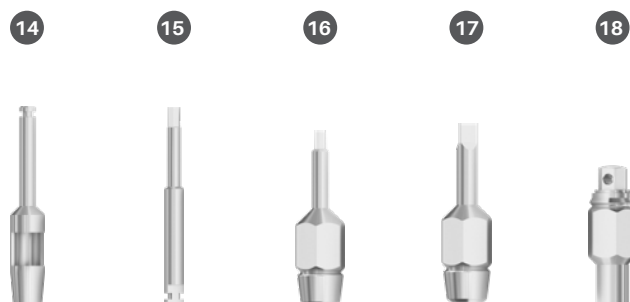
Implant drivers

- 12. Mechanical, 6LT 2,4 x L12
- 13. Manual, 6LT 2,4 x L12



Prosthetic instruments

- 14. Gingiva punch $\varnothing 4,0 \times L 15$
- 15. Head wrench, mechanical 6Lt1,27xL10
- 16. Head wrench, manual 6Lt1,27xL10
- 17. Locator key
- 18. Multi-unit/ ball-joint key 6LT2,7



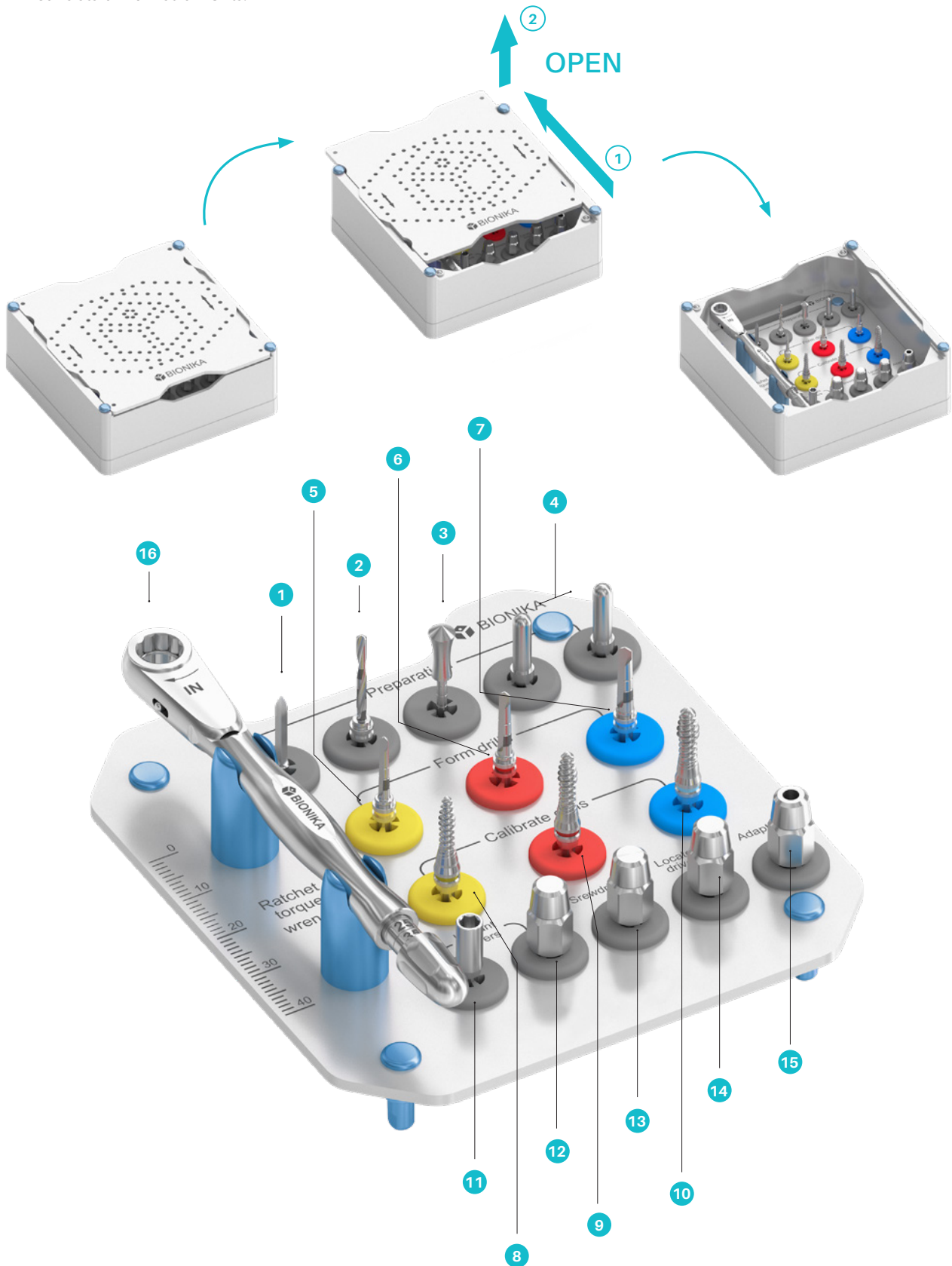
Ratchet torque wrench

- 19. Ratchet torque wrench



BIONIKA | MINI INSTRUMENT KIT

The **Mini instrument kit** is developed for the single-phase, mini implants. It consists of 16 instruments.



- 1 Spear-pointed drill ▼



- 2 Pre-drill \varnothing 1,5 x L13 ▼



- 3 Depth gauge ▼



- 4 Paralleling pins ▼



- 5 Core drill \varnothing 1,7xL11 ▼



- 6 Core drill \varnothing 2,1xL11 ▼



- 7 Core drill \varnothing 2,5xL11 ▼



- 8 Thread calibrator drill \varnothing 2,3/2,5xL11 ▼



- 9 Thread calibrator drill \varnothing 2,5/2,9xL11 ▼



- 10 Thread calibrator drill \varnothing 2,7/3,3xL11 ▼



- 11 Implant driver, mechanical 6Lt 2,7xL10 ▼



- 12 Implant drivers, manual 6Lt 2,7xL10 ▼



- 13 Head wrench 6Lt 1,27xL10 ▼



- 14 Locator key ▼



- 15 Converter adapter ▼



- 16 Ratchet torque wrench ▼

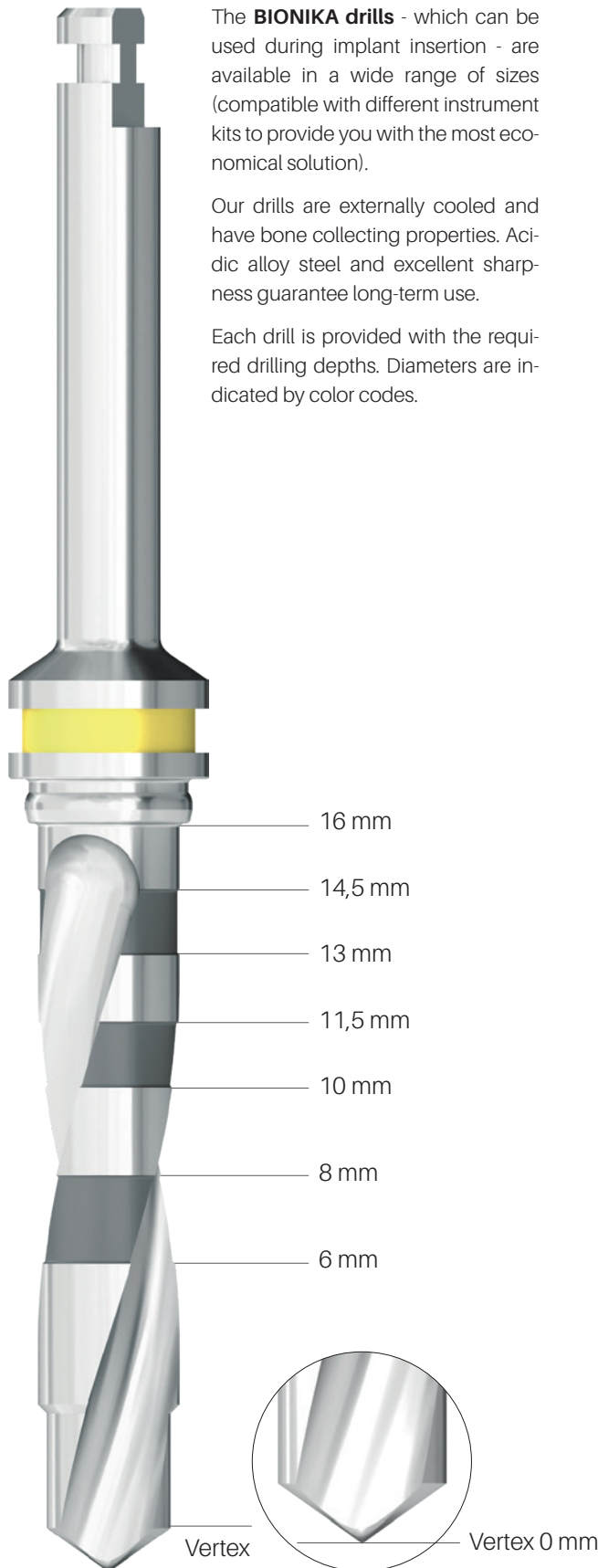


BIONIKA | SURGICAL DRILLS

The **BIONIKA drills** - which can be used during implant insertion - are available in a wide range of sizes (compatible with different instrument kits to provide you with the most economical solution).

Our drills are externally cooled and have bone collecting properties. Acidic alloy steel and excellent sharpness guarantee long-term use.

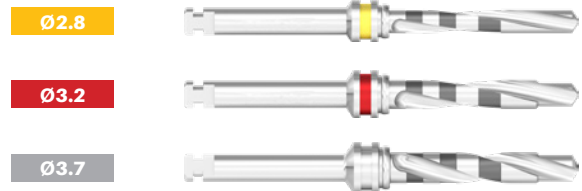
Each drill is provided with the required drilling depths. Diameters are indicated by color codes.



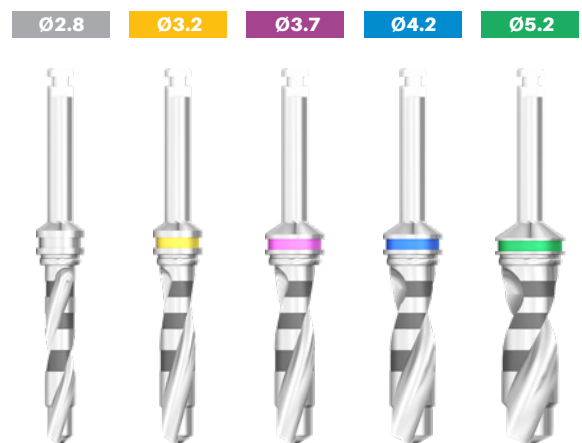
Spiral drills (or Core drills) are suitable for preparing implant nests. They are recommended for use according to the drilling protocol, in the case of softer and harder bone structure.

The **Thread Calibrator Drills** are suitable for expanding the implant nests as needed, so that we can extend the upper third of the bone nest. They are recommended to use in the case of harder than average bone structure.

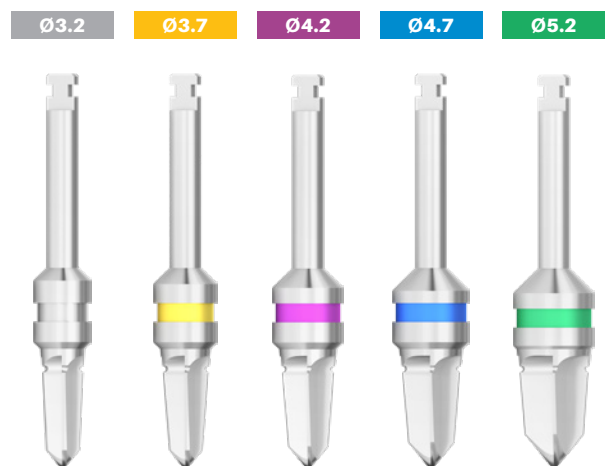
Pre-Drills



Core Drills



Thread Calibrator Drills

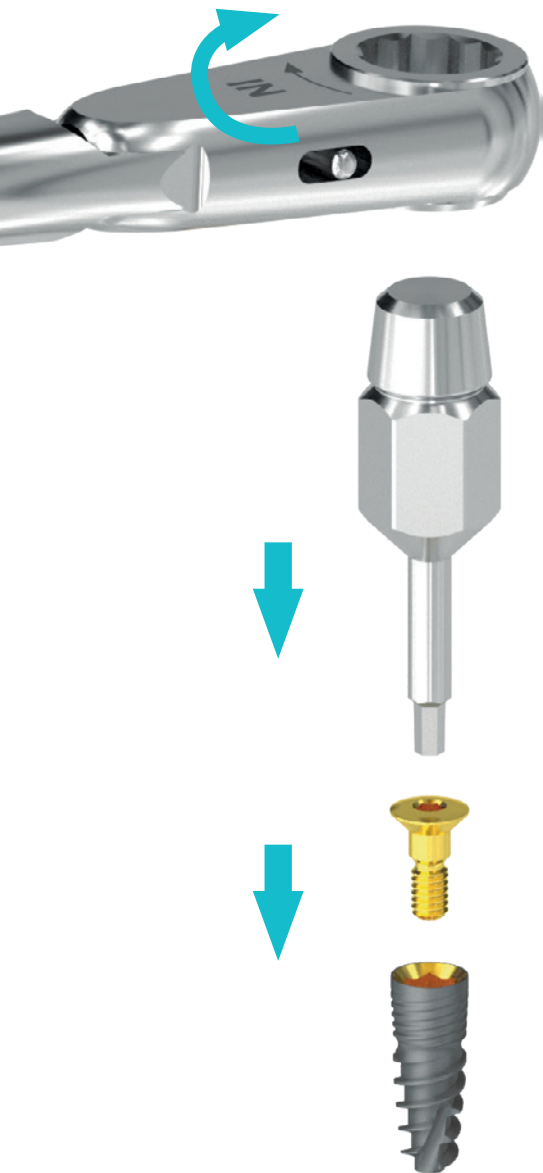


BIONIKA | RATCHET TORQUE WRENCH

The ratchet torque wrench is used to tighten and insert screws and implants. Using pre-set torque, this prevents the implant from fracturing and ensures the optimum power transfer when inserting the implant. The scale of the

torque rates from 15 to 35 Ncm, with plus or minus 5% accuracy. The scale on the opposite side can be used as a reverse torque. The ratchet torque wrench can also function as a simple ratchet.

ERGONOMIC CONSTRUCTION • STAINLESS STEEL • RELIABLE LIFETIME • REPLACABLE KEY INTERLINE • PRECISE TORQUE CONTROL • SOUND SIGNAL • PROFESSIONAL QUALITY • STABLE TORQUE SCALE DURING USE



Abutments and Screws	Head wrench	Torque
Locking screw		Manual key driver
Healing cap		Manual key driver
Sampling head screw for closed and open spoon		Manual key driver
Sampling head for closed and open spoon		
Head screw		Ratchet torque wrench 20 Ncm
Universal head, straight		
Universal head, oblique		
Anatomical head, straight		
Anatomical head, oblique		
Titanium base		
Multi-unit head, with through-bolted		
Multi-unit head screw, SR-head screw		Ratchet torque wrench 15 Ncm
Multi-unit head, screwable		Ratchet torque wrench 20 Ncm
SR head, screwable		
Ball-head		Ratchet torque wrench 20 Ncm
Locator head		

The desired torques can be adjusted from 15 Ncm to the right

15 Ncm 25 Ncm 35 Ncm endless torque





Get to know our other products!

Ask for our catalogs or visit one of our websites below:



www.bionika.hu



www.implantshop.hu

