



BIONIKA

COMPATIBLE

IMPLANT ABUTMENT SYSTEM

Implants and abutments from the known to the unknown

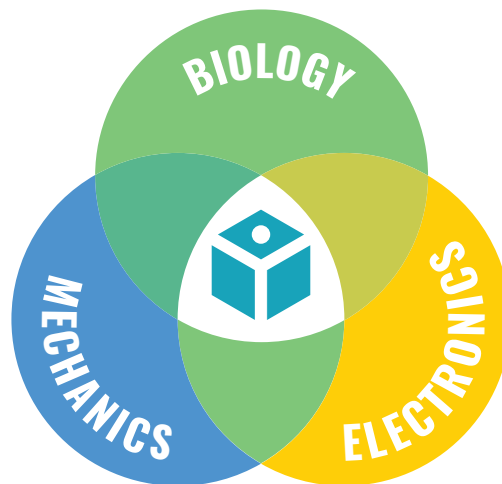
www.bionika.hu • www.implantshop.hu

K19-MD08-027

	Company2
	Product features3
	Compatible "PE" System (Pitt-Easy, Bioplant compatible)	
	Properties4
	Sizes available of abutments4-5
	Compatible "RP" System (Replace compatible)	
	Properties6
	Sizes available of abutments	6-7
	Compatible "CA" System (Ankylos compatible)	
	Properties8
	Sizes available of abutments8-9
	Compatible "CX" System (Ankylos compatible)	
	Properties10
	Sizes available of abutments	10-11
	Compatible "ST" System (Straumann, Sin-octa compatible)	
	Properties12
	Sizes available of abutments	12-13
	Compatible "BL" System (Straumann Bone level compatible)	
	Properties14
	Sizes available of abutments	14-15
	Compatible "AC" System (Nobel Active, Nobel CC compatible)	
	Properties16
	Sizes available of abutments	16-17
	Compatible "CL" System (CamLog , CortiLog and TRI-Log compatible)	
	Properties18
	Sizes available of abutments	18-19
	Compatible "BR" System (Brönemark compatible)	
	Properties20
	Sizes available of abutments	20-21
	Compatible "DT" System (Denti compatible)	
	Properties22
	Sizes available of abutments	22-23
	Compatible "AS" System (Astra compatible)	
	Properties24
	Sizes available of abutments	24-25
	Compatible "TP" System (ICX Templant compatible)	
	Properties26
	Sizes available of abutments	26-27
	Compatible Special abutments	
	Properties29
	Sizes available of abutments	29-30

Company

BIONIKA Medline Orvostechnikai Kft. was founded in 1989. We have more than 30-year-experience in the field of medical instruments and implant development, production and trade. BIONIKA as a researcher, developer, manufacturer and distributor is present in dentistry, oral surgery, traumatology, orthopedics and rehabilitation in the medical-professional areas. According to our objective and perception, we attach great importance to the word „BIONIKA”, which marks a scientific thinking on the boundaries of biology, technology and electronics that combines these three areas in our researching and developing work.



Clinical and technological experiences:

The continuous process, combination and utilization of clinical and technological experiences in development contributes to our success, up to the production base.

Here you will find the best solutions and constructions suited to customer needs, which are under continuous development.

Development: The owners of BIONIKA put great emphasis on continuous product and technological research and development. Our products are developed in close collaboration with doctors and engineers, enabling us to ensure the world-class quality and practical utilization.

Quality and: The quality of the products expected by our customers is guaranteed by design, manufacturing and quality management according to the harmonized European Union laws. The BIONIKA Medline Kft. is operated according to the EN ISO 9001 and the EN ISO 13485 quality management system. Our products are provided with CE marks.

Guarantee: After inserting the implant - the risk of the ossification process is assumed by BIONIKA, independently of cause and effect relationship – exchange guarantee is ensured within one year after the purchase. Otherwise, we provide a long-term, 5-year guarantee for our products.

Compatible system

There are several systems in the implantation practice on the market, all of them have advantages and disadvantages as well. It is often difficult to decide which one is worth investing in, because an introduction of a new system can eventuate serious financial consequences.

We are trying to help with this problem with our „ COMPATIBLE” system, which enables us to achieve the same goals, with other proven systems and existing proven tools, but at a much more favorable price.

Our COMPATIBLE abutments are designed to fit perfectly with other systems and instruments as well. There is a wide range of abutment topside selection, whose interface can be selected according to the desired system.



For each system - **BIONIKA** abutments

Compatible "PE" System

(Pitt-Easy, Bioplant compatible)



Hexagonal positioning connection. The diameter in the 3,25 and 3,75 mm sizes is the same, bigger hexagonal hexagon must be used in the case of smaller ,4,10-4,90-6,50 sizes.



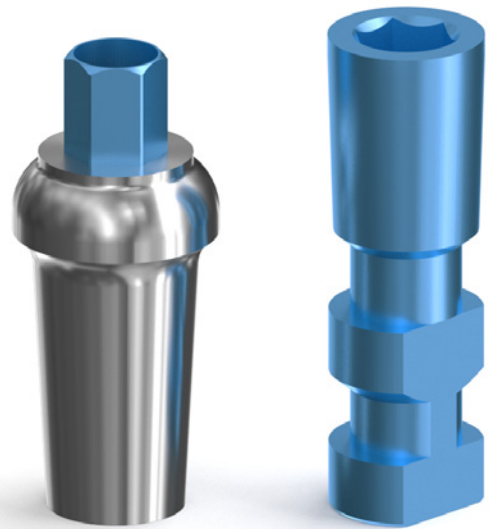
Flat platform, perpendicular to the axial direction.



The shape of the implant head is not always the same in every case, only compatible with the original construction. Customized solutions can be ordered as well.



The locking screw has a 1,67 mm key aperture.



PE Healing cap, narrow



SULCUS HEIGHT (L)	PLATFORM				
	ø 3,25	ø 3,75	ø 4,1	ø 4,9	ø 6,5
2 mm	●	●	●	●	●
4 mm	●	●	●	●	●
6 mm	●	●	●	●	●

PE Healing cap, anatomical



SULCUS HEIGHT (L)	PLATFORM				
	ø 3,25	ø 3,75	ø 4,1	ø 4,9	ø 6,5
2 mm	●	●	●	●	●
4 mm	●	●	●	●	●
6 mm	●	●	●	●	●

PE Narrow head,

- straight
- oblique 15°, 25°



HEAD HEIGHT (L)		PLATFORM				
		ø 3,25	ø 3,75	ø 4,1	ø 4,9	ø 6,5
STRAIGHT	OBLIQUE					
7 mm		●	●	●	●	●
9 mm	9 mm	●	●	●	●	●

PE Universal head

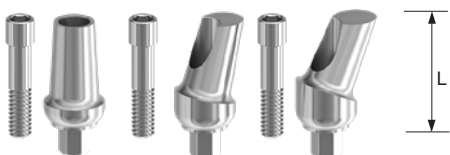
- straight
- oblique 15°, 25°



HEAD HEIGHT (L)		PLATFORM				
		ø 3,25	ø 3,75	ø 4,1	ø 4,9	ø 6,5
10 mm		●	●	●	●	●

PE Anatomical head,

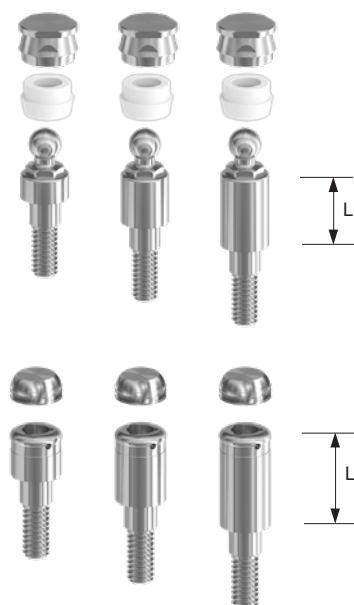
- straight
- oblique 15°, 25°



HEAD HEIGHT (L)		PLATFORM				
		ø 3,25	ø 3,75	ø 4,1	ø 4,9	ø 6,5
STRAIGHT	OBLIQUE					
7 mm		●	●	●	●	●
9 mm	9 mm	●	●	●	●	●

PE Patent head

- Ball-head Normal $\varnothing 2,5\text{mm}$
- Ball-head Micro $\varnothing 1,8\text{mm}$

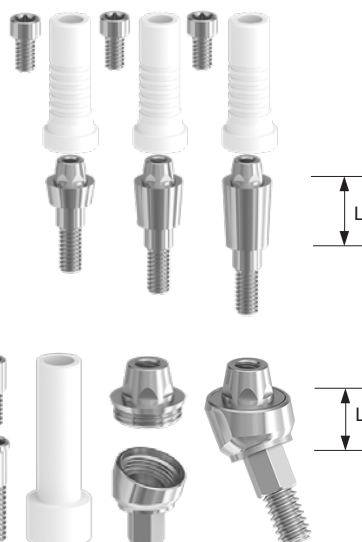


SULCUS HEIGHT (L)	PLATFORM				
	$\varnothing 3,25$	$\varnothing 3,75$	$\varnothing 4,1$	$\varnothing 4,9$	$\varnothing 6,5$
0,5 mm	●	●	●	●	●
1 mm	●	●	●	●	●
2 mm	●	●	●	●	●
3 mm	●	●	●	●	●
4 mm	●	●	●	●	●
5 mm	●	●	●	●	●
6 mm	●	●	●	●	●
7 mm	●	●	●	●	●

- Locator head

PE Multi-unit head

- straight



SULCUS HEIGHT (L)	PLATFORM				
	$\varnothing 3,25$	$\varnothing 3,75$	$\varnothing 4,1$	$\varnothing 4,9$	$\varnothing 6,5$
0,5 mm	●	●	●	●	●
1 mm	●	●	●	●	●
2 mm	●	●	●	●	●
3 mm	●	●	●	●	●
4 mm	●	●	●	●	●
5 mm	●	●	●	●	●
6 mm	●	●	●	●	●
7 mm	●	●	●	●	●

- oblique 20°, 30°

PE Titanium base



HEIGHT (L)	PLATFORM				
	$\varnothing 3,25$	$\varnothing 3,75$	$\varnothing 4,1$	$\varnothing 4,9$	$\varnothing 6,5$
	●	●	●	●	●

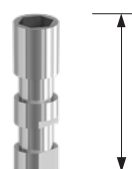
PE Sampling head,

- for open spoon
- for closed spoon



HEAD HEIGHT (L)	PLATFORM				
	$\varnothing 3,25$	$\varnothing 3,75$	$\varnothing 4,1$	$\varnothing 4,9$	$\varnothing 6,5$
11 mm	●	●	●	●	●

PE Technical implant



HEIGHT (L)	PLATFORM				
	$\varnothing 3,25$	$\varnothing 3,75$	$\varnothing 4,1$	$\varnothing 4,9$	$\varnothing 6,5$
12 mm	●	●	●	●	●

Compatible “RP” System

(Replace compatible)



Tube-in-tube connection with three positioning ribs. Every implant diameter has a different sizes.



Flat platform, perpendicular to the axial direction.



The shape of the implant head is not always the same in every case, only compatible with the original construction. Customized solutions can be ordered as well.



The locking screw has a torx key aperture.



RP Healing cap, narrow



SULCUS HEIGHT (L)	PLATFORM			
	ø 3,5	ø 4,3	ø 5,0	ø 6,0
2 mm	●	●	●	●
4 mm	●	●	●	●
6 mm	●	●	●	●

RP Healing cap, anatomical



SULCUS HEIGHT (L)	PLATFORM			
	ø 3,5	ø 4,3	ø 5,0	ø 6,0
2 mm	●	●	●	●
4 mm	●	●	●	●
6 mm	●	●	●	●

RP Universal head

- straight
- oblique 15°, 25°



HEAD HEIGHT (L)	PLATFORM			
	ø 3,5	ø 4,3	ø 5,0	ø 6,0
10 mm	●	●	●	●

RP Anatomical head

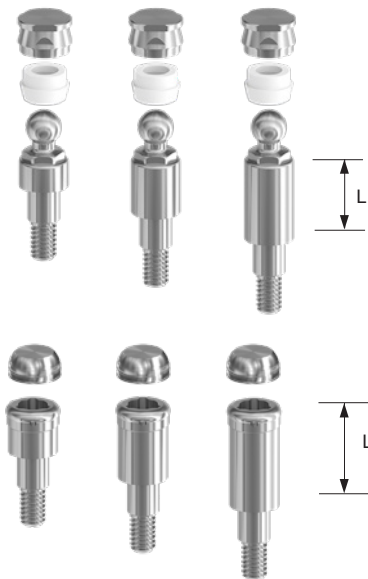
- straight
- oblique 15°, 25°



HEAD HEIGHT (L)		PLATFORM			
		ø 3,5	ø 4,3	ø 5,0	ø 6,0
STRAIGHT	OBLIQUE				
7 mm	—	●	●	●	●
9 mm	9 mm	●	●	●	●

RP Patent head

- Ball-head Normal \varnothing 2,5mm
- Ball-head Micro \varnothing 1,8mm

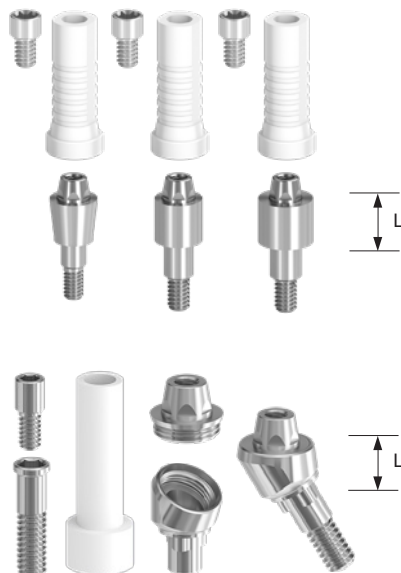


SULCUS HEIGHT (L)	PLATFORM			
	\varnothing 3,5	\varnothing 4,3	\varnothing 5,0	\varnothing 6,0
0,5 mm	●	●	●	●
1 mm	●	●	●	●
2 mm	●	●	●	●
3 mm	●	●	●	●
4 mm	●	●	●	●
5 mm	●	●	●	●
6 mm	●	●	●	●
7 mm	●	●	●	●

• Locator head

RP Multi-unit head

- straight



SULCUS HEIGHT (L)	PLATFORM			
	\varnothing 3,5	\varnothing 4,3	\varnothing 5,0	\varnothing 6,0
0,5 mm	●	●	●	●
1 mm	●	●	●	●
2 mm	●	●	●	●
3 mm	●	●	●	●
4 mm	●	●	●	●
5 mm	●	●	●	●
6 mm	●	●	●	●
7 mm	●	●	●	●

- oblique 15°, 30°

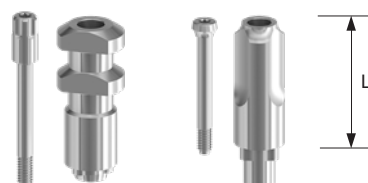
RP Titanium base



HEIGHT (L)	PLATFORM			
	\varnothing 3,5	\varnothing 4,3	\varnothing 5,0	\varnothing 6,0
	●	●	●	●

RP Sampling head,

- for open spoon
- for closed spoon



HEAD HEIGHT (L)	PLATFORM			
	\varnothing 3,5	\varnothing 4,3	\varnothing 5,0	\varnothing 6,0
11 mm	●	●	●	●

RP Technical implant



HEIGHT (L)	PLATFORM			
	\varnothing 3,5	\varnothing 4,3	\varnothing 5,0	\varnothing 6,0
12 mm	●	●	●	●

Compatible “CA” System

(Ankylos compatible)



Self-closing, conical connection. The connection is the same in every implant size.



Flat platform, perpendicular to the axial direction.



The shaping of the implant head isn't the same in every case, only compatible with the original construction. Customized solutions can be ordered as well.



The locking screw has a 1 mm hexagonal key aperture.



CA Healing cap, narrow



SULCUS HEIGHT (L)	PLATFORM			
	ø 3,5	ø 4,5	ø 5,5	ø 7,0
2 mm	●	●	●	●
4 mm	●	●	●	●
6 mm	●	●	●	●

CA Healing cap, anatomical



SULCUS HEIGHT (L)	PLATFORM			
	ø 3,5	ø 4,5	ø 5,5	ø 7,0
2 mm	●	●	●	●
4 mm	●	●	●	●
6 mm	●	●	●	●

CA Universal head
• straight
• oblique 15°, 25°



HEAD HEIGHT (L)	PLATFORM			
	ø 3,5	ø 4,5	ø 5,5	ø 7,0
10 mm	●	●	●	●

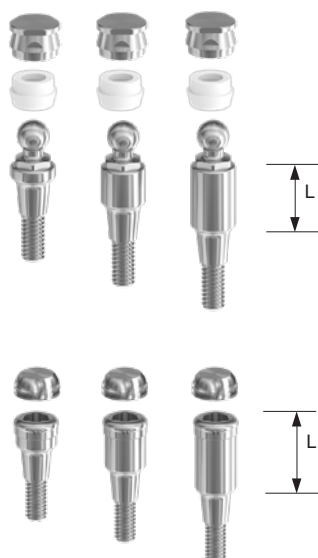
CA Anatomical head,
• straight
• oblique 15°, 25°



HEAD HEIGHT (L)		PLATFORM			
		ø 3,5	ø 4,5	ø 5,5	ø 7,0
STRAIGHT	OBLIQUE				
7 mm	—	●	●	●	●
9 mm	9 mm	●	●	●	●

CA Patent head

- Ball-head Normal \varnothing 2,5mm
- Ball-head Micro \varnothing 1,8mm

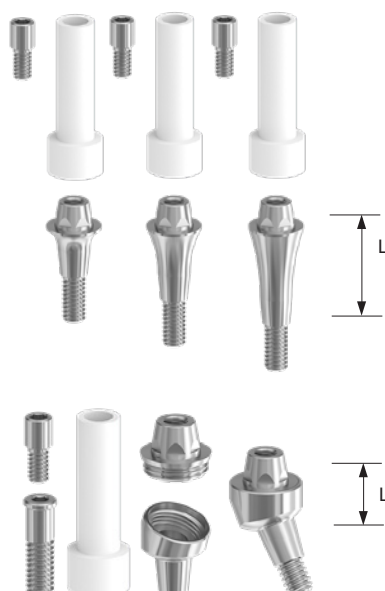


SULCUS HEIGHT (L)	PLATFORM			
	\varnothing 3,5	\varnothing 4,5	\varnothing 5,5	\varnothing 7,0
0,5 mm	●	●	●	●
1 mm	●	●	●	●
2 mm	●	●	●	●
3 mm	●	●	●	●
4 mm	●	●	●	●
5 mm	●	●	●	●
6 mm	●	●	●	●
7 mm	●	●	●	●

• Locator head

CA Multi-unit head

- straight



SULCUS HEIGHT (L)	PLATFORM			
	\varnothing 3,5	\varnothing 4,5	\varnothing 5,5	\varnothing 7,0
0,5 mm	●	●	●	●
1 mm	●	●	●	●
2 mm	●	●	●	●
3 mm	●	●	●	●
4 mm	●	●	●	●
5 mm	●	●	●	●
6 mm	●	●	●	●
7 mm	●	●	●	●

• oblique

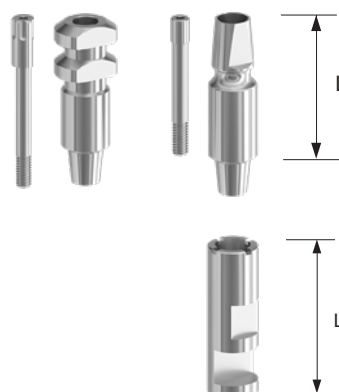
CA Titanium base



HEIGHT (L)	PLATFORM			
	\varnothing 3,5	\varnothing 4,5	\varnothing 5,5	\varnothing 7,0
	●	●	●	●

CA Sampling head

- for open spoon
- for closed spoon



HEAD HEIGHT (L)	PLATFORM			
	\varnothing 3,5	\varnothing 4,5	\varnothing 5,5	\varnothing 7,0
11 mm	●	●	●	●

CA Technical implant

HEIGHT (L)	PLATFORM			
	\varnothing 3,5	\varnothing 4,5	\varnothing 5,5	\varnothing 7,0
12 mm	●	●	●	●

Compatible “CX” System

(Ankylos compatible)



Self-closing, conical connection with positioning ribs. The connection is the same with every implant size.



Flat platform, perpendicular to the axial direction.



The shaping of the implant head is not always the same in every case, only compatible with the original construction.



The locking screw has a 1 mm hexagonal key aperture.



CX Healing cap, narrow



SULCUS HEIGHT (L)	PLATFORM			
	ø 3,5	ø 4,5	ø 5,5	ø 7,0
2 mm	●	●	●	●
4 mm	●	●	●	●
6 mm	●	●	●	●

CX Healing cap, anatomical



SULCUS HEIGHT (L)	PLATFORM			
	ø 3,5	ø 4,5	ø 5,5	ø 7,0
2 mm	●	●	●	●
4 mm	●	●	●	●
6 mm	●	●	●	●

CX Universal head

- straight
- oblique 15°, 25°



HEAD HEIGHT (L)	PLATFORM			
	ø 3,5	ø 4,5	ø 5,5	ø 7,0
10 mm	●	●	●	●

CX Anatomical head,

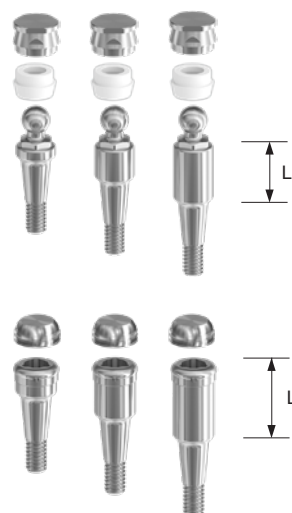
- straight
- oblique 15°, 25°



HEAD HEIGHT (L)	PLATFORM			
	ø 3,5	ø 4,5	ø 5,5	ø 7,0
STRAIGHT				
7 mm	—	—	—	—
9 mm	●	●	●	●
OBLIQUE				
9 mm	●	●	●	●

CX Patent head

- Ball-head Normal \varnothing 2,5mm
- Ball-head Micro \varnothing 1,8mm

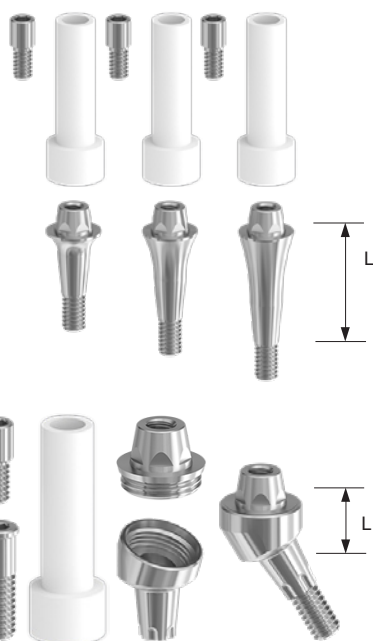


SULCUS HEIGHT (L)	PLATFORM			
	\varnothing 3,5	\varnothing 4,5	\varnothing 5,5	\varnothing 7,0
0,5 mm	●	●	●	●
1 mm	●	●	●	●
2 mm	●	●	●	●
3 mm	●	●	●	●
4 mm	●	●	●	●
5 mm	●	●	●	●
6 mm	●	●	●	●
7 mm	●	●	●	●

- Locator head

CX Multi-unit head

- straight



SULCUS HEIGHT (L)	PLATFORM			
	\varnothing 3,5	\varnothing 4,5	\varnothing 5,5	\varnothing 7,0
0,5 mm	●	●	●	●
1 mm	●	●	●	●
2 mm	●	●	●	●
3 mm	●	●	●	●
4 mm	●	●	●	●
5 mm	●	●	●	●
6 mm	●	●	●	●
7 mm	●	●	●	●

- oblique 20°, 30°

CX Titanium base



HEIGHT (L)	PLATFORM			
	\varnothing 3,5	\varnothing 4,5	\varnothing 5,5	\varnothing 7,0
	●	●	●	●

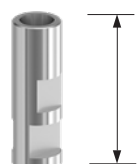
CX Sampling head,

- for open spoon
- for closed spoon



HEAD HEIGHT (L)	PLATFORM			
	\varnothing 3,5	\varnothing 4,5	\varnothing 5,5	\varnothing 7,0
11 mm	●	●	●	●

CX Technical implant



HEIGHT (L)	PLATFORM			
	\varnothing 3,5	\varnothing 4,5	\varnothing 5,5	\varnothing 7,0
12 mm	●	●	●	●

Compatible “ST” System

(Straumann, Sin-octa compatible)



Octagonal positioning connection. Self-closing, conical fixation.



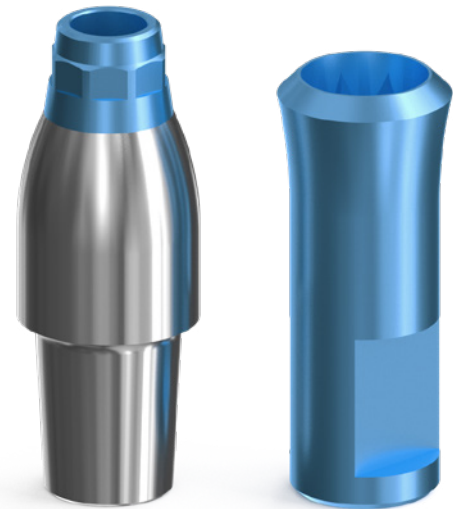
The platform is 90 degree cone angle.



The shape of the implant head is not always the same in every case, only compatible with the original construction. Customized solutions can be ordered as well.



The locking screw has a torx key aperture.



ST Healing cap, narrow



	PLATFORM		
SULCUS HEIGHT (L)	ø 3,3	ø 4,1	ø 4,8
2 mm	●	●	●
4 mm	●	●	●
6 mm	●	●	●

ST Healing cap, anatomical



	PLATFORM		
SULCUS HEIGHT (L)	ø 3,3	ø 4,1	ø 4,8
2 mm	●	●	●
4 mm	●	●	●
6 mm	●	●	●

ST Narrow head,
• straight
• oblique, 15°, 25°



		PLATFORM		
HEAD HEIGHT (L)		ø 3,3	ø 4,1	ø 4,8
STRAIGHT	OBLIQUE			
7 mm	9 mm	●	●	●
9 mm	9 mm	●	●	●

ST Universal head
• straight
• oblique 15°, 25°



		PLATFORM		
HEAD HEIGHT (L)		ø 3,3	ø 4,1	ø 4,8
10 mm		●	●	●

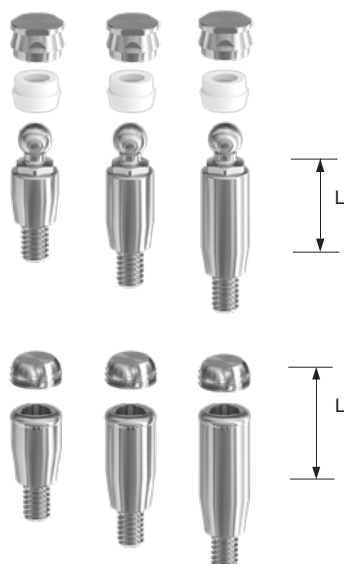
ST Anatomical head
• straight
• oblique 15°, 25°



		PLATFORM		
HEAD HEIGHT (L)		ø 3,3	ø 4,1	ø 4,8
STRAIGHT	OBLIQUE			
7 mm	9 mm	●	●	●
9 mm	9 mm	●	●	●

ST Patent head

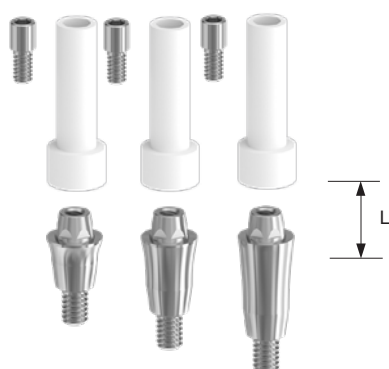
- Ball-head Normal \varnothing 2,5mm
- Ball-head Micro \varnothing 1,8mm



SULCUS HEIGHT (L)	PLATFORM		
	\varnothing 3,3	\varnothing 4,1	\varnothing 4,8
0,5 mm	●	●	●
1 mm	●	●	●
2 mm	●	●	●
3 mm	●	●	●
4 mm	●	●	●
5 mm	●	●	●
6 mm	●	●	●
7 mm	●	●	●

ST Multi-unit head

- straight



SULCUS HEIGHT (L)	PLATFORM		
	\varnothing 3,3	\varnothing 4,1	\varnothing 4,8
0,5 mm	●	●	●
1 mm	●	●	●
2 mm	●	●	●
3 mm	●	●	●
4 mm	●	●	●
5 mm	●	●	●
6 mm	●	●	●
7 mm	●	●	●

- oblique 20 °, 30°



ST Titanium base



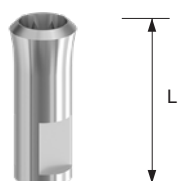
HEIGHT (L)	PLATFORM		
	\varnothing 3,3	\varnothing 4,1	\varnothing 4,8
	●	●	●

ST Sampling head, for open and closed spoon



HEAD HEIGHT (L)	PLATFORM		
	\varnothing 3,3	\varnothing 4,1	\varnothing 4,8
11 mm	●	●	●

ST Technical implant



HEIGHT (L)	PLATFORM		
	\varnothing 3,3	\varnothing 4,1	\varnothing 4,8
12 mm	●	●	●

Compatible “BL” System

(Straumann, BoneLevel compatible)



Four positioned ribbed rotation inhibition. Tube-in-tube and conical micromotor-free fixation.



Every implant diameter has different sizes.



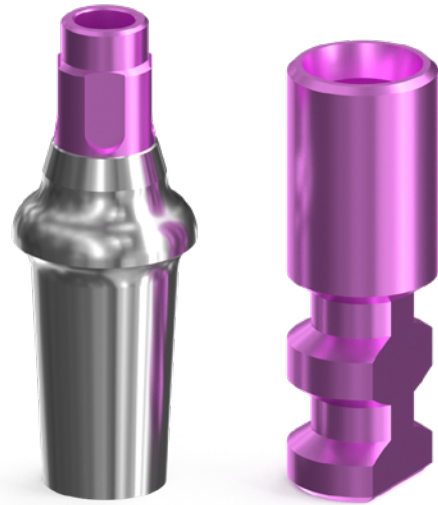
Narrow, conical platform.



The design of the implant head isn't always the same, only compatible with the original design. Customized solutions can also be ordered.



The locking screw has a torx key aperture.



BL Healing cap, narrow



	PLATFORM		
SULCUS HEIGHT (L)	ø 3,3	ø 4,1	ø 4,8
2 mm	●	●	●
4 mm	●	●	●
6 mm	●	●	●

BL Healing cap, anatomical



	PLATFORM		
SULCUS HEIGHT (L)	ø 3,3	ø 4,1	ø 4,8
2 mm	●	●	●
4 mm	●	●	●
6 mm	●	●	●

BL Narrow head,

- straight
- oblique 15°, 25°



		PLATFORM		
HEAD HEIGHT (L)		ø 3,3	ø 4,1	ø 4,8
STRAIGHT	OBLIQUE			
7 mm		●	●	●
9 mm	9 mm	●	●	●

BL Universal head

- straight
- oblique 15°, 25°



	PLATFORM		
HEAD HEIGHT (L)	ø 3,3	ø 4,1	ø 4,8
10 mm	●	●	●

BL Anatomical head,

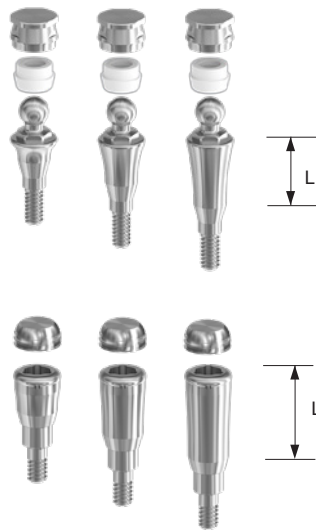
- straight
- oblique 15°, 25°



		PLATFORM		
HEAD HEIGHT (L)		ø 3,3	ø 4,1	ø 4,8
STRAIGHT	OBLIQUE			
7 mm		●	●	●
9 mm	9 mm	●	●	●

BL Patent head

- Ball-head Normal \varnothing 2,5mm
- Ball-head Micro \varnothing 1,8mm

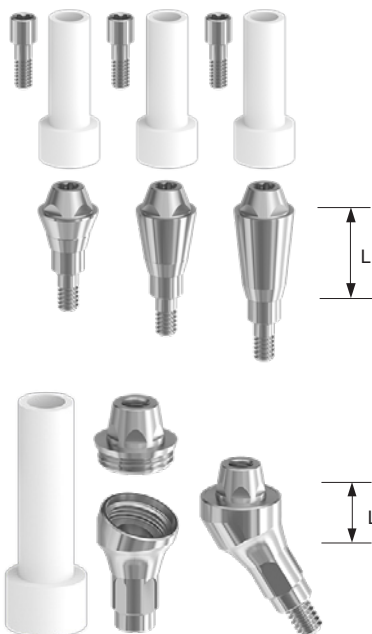


SULCUS HEIGHT (L)	PLATFORM		
	\varnothing 3,3	\varnothing 4,1	\varnothing 4,8
0,5 mm	●	●	●
1 mm	●	●	●
2 mm	●	●	●
3 mm	●	●	●
4 mm	●	●	●
5 mm	●	●	●
6 mm	●	●	●
7 mm	●	●	●

• Locator head

BL Multi-unit head

- straight



SULCUS HEIGHT (L)	PLATFORM		
	\varnothing 3,3	\varnothing 4,1	\varnothing 4,8
0,5 mm	●	●	●
1 mm	●	●	●
2 mm	●	●	●
3 mm	●	●	●
4 mm	●	●	●
5 mm	●	●	●
6 mm	●	●	●
7 mm	●	●	●

- oblique, 20°;
30°

BL Titanium base



HEIGHT (L)	PLATFORM		
	\varnothing 3,3	\varnothing 4,1	\varnothing 4,8
	●	●	●

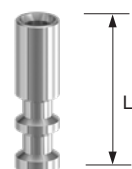
BL Sampling head,

- for open spoon
- for closed spoon



HEAD HEIGHT (L)	PLATFORM		
	\varnothing 3,3	\varnothing 4,1	\varnothing 4,8
11 mm	●	●	●

BL Technical implant



HEIGHT (L)	PLATFORM		
	\varnothing 3,3	\varnothing 4,1	\varnothing 4,8
12 mm	●	●	●

Compatible “AC” System

(Nobel Active and Nobel CC compatible)



Hexagonal positioning.



Micromotor-free conical connection.



The design of the implant head is not always the same, only compatible with the original design. Customized solutions can also be ordered.



The locking screw has a torx key aperture.



AC Healing cap, narrow



SULCUS HEIGHT (L)	PLATFORM		
	ø 3,5	ø 4,3	ø 5,0
2 mm	●	●	●
4 mm	●	●	●
6 mm	●	●	●

AC Healing cap, anatomical



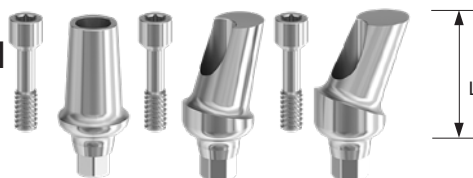
SULCUS HEIGHT (L)	PLATFORM		
	ø 3,5	ø 4,3	ø 5,0
2 mm	●	●	●
4 mm	●	●	●
6 mm	●	●	●

AC Universal head
• straight
• oblique 15°, 25°



HEAD HEIGHT (L)	PLATFORM		
	ø 3,5	ø 4,3	ø 5,0
10 mm	●	●	●

AC Anatomical head
straight
oblique 15°, 25°



HEAD HEIGHT (L)	PLATFORM		
	ø 3,5	ø 4,3	ø 5,0
STRAIGHT 7 mm	●	●	●
OBLIQUE 9 mm	●	●	●

AC Patent head

- Ball-head Normal \varnothing 2,5mm
- Ball-head Micro \varnothing 1,8mm



SULCUS HEIGHT (L)	PLATFORM		
	\varnothing 3,5	\varnothing 4,3	\varnothing 5,0
0,5 mm	●	●	●
1 mm	●	●	●
2 mm	●	●	●
3 mm	●	●	●
4 mm	●	●	●
5 mm	●	●	●
6 mm	●	●	●
7 mm	●	●	●

• Locator head

AC Multi-unit head

- straight



SULCUS HEIGHT (L)	PLATFORM		
	\varnothing 3,5	\varnothing 4,3	\varnothing 5,0
0,5 mm	●	●	●
1 mm	●	●	●
2 mm	●	●	●
3 mm	●	●	●
4 mm	●	●	●
5 mm	●	●	●
6 mm	●	●	●
7 mm	●	●	●

- oblique 20°, 30°

AC Titanium base



HEIGHT (L)	PLATFORM		
	\varnothing 3,5	\varnothing 4,3	\varnothing 5,0
	●	●	●

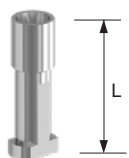
AC Sampling head

- for open spoon, small conical
- for open spoon, normal
- for closed spoon



HEAD HEIGHT (L)	PLATFORM		
	\varnothing 3,5	\varnothing 4,3	\varnothing 5,0
11 mm	●	●	●

AC Technical implant



HEIGHT (L)	PLATFORM		
	\varnothing 3,5	\varnothing 4,3	\varnothing 5,0
12 mm	●	●	●

Compatible "CL" System

(CamLog, CortiLog and TRI-Log compatible)



Tube-in-tube connection, positioning with the help of three cam shape.
Every implant diameter has different sizes.



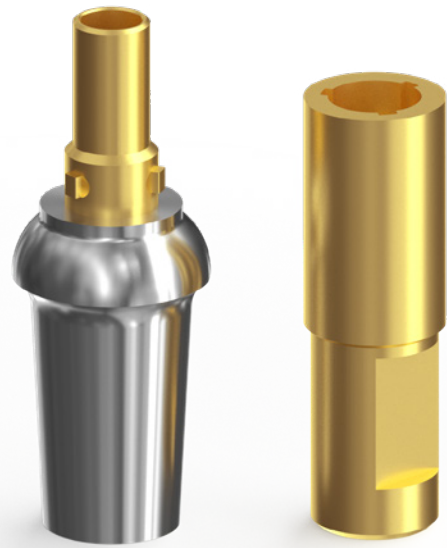
Flat platform, perpendicular to the axial direction.



The shaping of the implant head is not always the same in every case, only compatible with the original construction. Customized solutions can be ordered.



The locking screw has a 1,27 mm hexagonal key aperture.



CL Healing cap



	PLATFORM				
SULCUS HEIGHT (L)	ø 3,3	ø 3,8	ø 4,3	ø 5,0	ø 6,0
2 mm	●	●	●	●	●
4 mm	●	●	●	●	●
6 mm	●	●	●	●	●

CL Healing cap, anatomical



	PLATFORM				
SULCUS HEIGHT (L)	ø 3,3	ø 3,8	ø 4,3	ø 5,0	ø 6,0
2 mm	●	●	●	●	●
4 mm	●	●	●	●	●
6 mm	●	●	●	●	●

CL Narrow head

- straight
- oblique 15°, 25°



		PLATFORM				
HEAD HEIGHT (L)		ø 3,3	ø 3,8	ø 4,3	ø 5,0	ø 6,0
STRAIGHT	OBLIQUE					
7 mm		●	●	●	●	●
9 mm	9 mm	●	●	●	●	●

CL Universal head

- straight
- oblique 15°, 25°



	PLATFORM				
HEAD HEIGHT (L)	ø 3,3	ø 3,8	ø 4,3	ø 5,0	ø 6,0
10 mm	●	●	●	●	●

CL Anatomical head

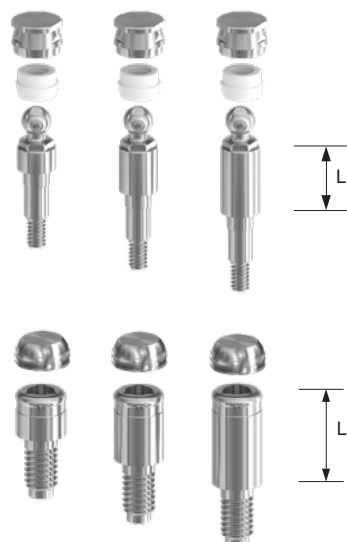
- straight
- oblique 15°, 25°



		PLATFORM				
HEAD HEIGHT (L)		ø 3,3	ø 3,8	ø 4,3	ø 5,0	ø 6,0
STRAIGHT	OBLIQUE					
7 mm		●	●	●	●	●
9 mm	9 mm	●	●	●	●	●

CL Patent head

- Ball-head Normal \varnothing 2,5mm
- Ball-head Micro \varnothing 1,8mm

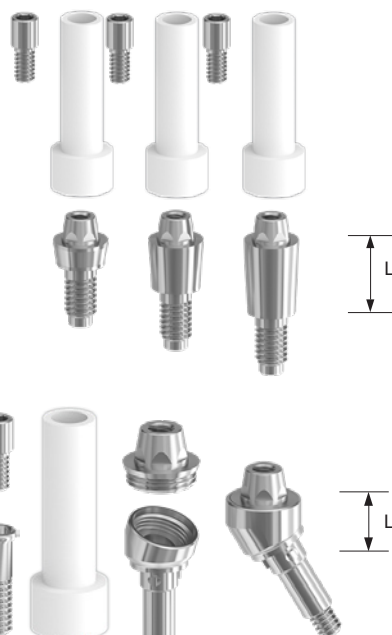


SULCUS HEIGHT (L)	PLATFORM				
	\varnothing 3,3	\varnothing 3,8	\varnothing 4,3	\varnothing 5,0	\varnothing 6,0
0,5 mm	●	●	●	●	●
1 mm	●	●	●	●	●
2 mm	●	●	●	●	●
3 mm	●	●	●	●	●
4 mm	●	●	●	●	●
5 mm	●	●	●	●	●
6 mm	●	●	●	●	●
7 mm	●	●	●	●	●

• Locator head

CL Multi-unit head

- straight



SULCUS HEIGHT (L)	PLATFORM				
	\varnothing 3,3	\varnothing 3,8	\varnothing 4,3	\varnothing 5,0	\varnothing 6,0
0,5 mm	●	●	●	●	●
1 mm	●	●	●	●	●
2 mm	●	●	●	●	●
3 mm	●	●	●	●	●
4 mm	●	●	●	●	●
5 mm	●	●	●	●	●
6 mm	●	●	●	●	●
7 mm	●	●	●	●	●

- oblique 20°, 30°

CL Titanium base

HEIGHT (L)	PLATFORM				
	\varnothing 3,3	\varnothing 3,8	\varnothing 4,3	\varnothing 5,0	\varnothing 6,0
	●	●	●	●	●

CL Sampling head,

- for open spoon
- for closed spoon



HEAD HEIGHT (L)	PLATFORM				
	\varnothing 3,3	\varnothing 3,8	\varnothing 4,3	\varnothing 5,0	\varnothing 6,0
11 mm	●	●	●	●	●

CL Technical implant



HEIGHT (L)	PLATFORM				
	\varnothing 3,3	\varnothing 3,8	\varnothing 4,3	\varnothing 5,0	\varnothing 6,0
12 mm	●	●	●	●	●

Compatible “BR” System

(Brönemark compatible)



Outer hexagonal positioning. The 3,75 and 4,0 mm implant diameters have the same head sizes.



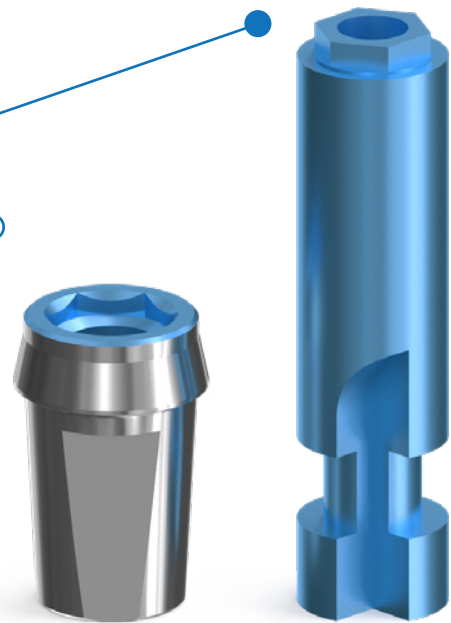
Flat platform, perpendicular to the axial direction.



The design of the implant head is not always the same, only compatible with the original design. Customized solutions can also be ordered.



The locking screw has a torx key aperture.



BR Healing cap, narrow



SULCUS HEIGHT (L)	PLATFORM				
	ø 3,3	ø 3,75	ø 4,0	ø 5,0	ø 6,0
2 mm	●	●	●	●	●
4 mm	●	●	●	●	●
6 mm	●	●	●	●	●

BR Healing cap, anatomical



SULCUS HEIGHT (L)	PLATFORM				
	ø 3,3	ø 3,75	ø 4,0	ø 5,0	ø 6,0
2 mm	●	●	●	●	●
4 mm	●	●	●	●	●
6 mm	●	●	●	●	●

BR Universal head

- straight
- oblique 15°, 25°



HEAD HEIGHT (L)	PLATFORM				
	ø 3,3	ø 3,75	ø 4,0	ø 5,0	ø 6,0
10 mm	●	●	●	●	●

BR Anatomical head,

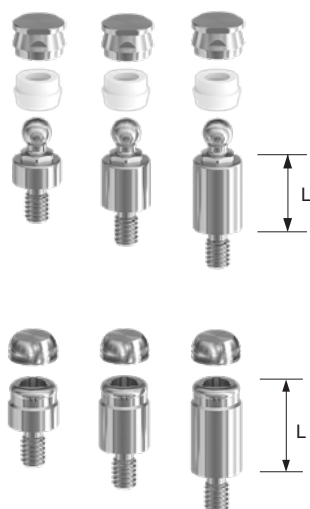
- straight
- oblique 15°, 25°



HEAD HEIGHT (L)		PLATFORM				
		ø 3,3	ø 3,75	ø 4,0	ø 5,0	ø 6,0
STRAIGHT	OBLIQUE					
7 mm	9 mm	●	●	●	●	●
9 mm	9 mm	●	●	●	●	●

BR Patent head

- Ball-head Normal \varnothing 2,5mm
- Ball-head Micro \varnothing 1,8mm

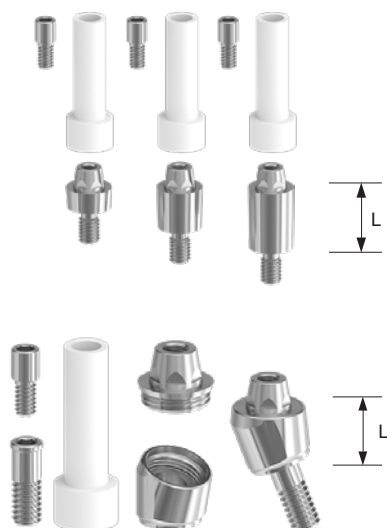


SULCUS HEIGHT (L)	PLATFORM				
	\varnothing 3,3	\varnothing 3,75	\varnothing 4,0	\varnothing 5,0	\varnothing 6,0
0,5 mm	●	●	●	●	●
1 mm	●	●	●	●	●
2 mm	●	●	●	●	●
3 mm	●	●	●	●	●
4 mm	●	●	●	●	●
5 mm	●	●	●	●	●
6 mm	●	●	●	●	●
7 mm	●	●	●	●	●

• Locator head

BR Multi-unit head

- straight



SULCUS HEIGHT (L)	PLATFORM				
	\varnothing 3,3	\varnothing 3,75	\varnothing 4,0	\varnothing 5,0	\varnothing 6,0
0,5 mm	●	●	●	●	●
1 mm	●	●	●	●	●
2 mm	●	●	●	●	●
3 mm	●	●	●	●	●
4 mm	●	●	●	●	●
5 mm	●	●	●	●	●
6 mm	●	●	●	●	●
7 mm	●	●	●	●	●

- oblique

BR Titanium base



HEIGHT (L)	PLATFORM				
	\varnothing 3,3	\varnothing 3,75	\varnothing 4,0	\varnothing 5,0	\varnothing 6,0
14 mm	●	●	●	●	●

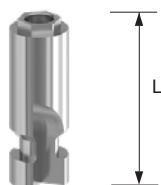
BR Sampling head

- for open spoon
- for closed spoon



HEAD HEIGHT (L)	PLATFORM				
	\varnothing 3,3	\varnothing 3,75	\varnothing 4,0	\varnothing 5,0	\varnothing 6,0
11 mm	●	●	●	●	●

BR Technical implant



HEIGHT (L)	PLATFORM				
	\varnothing 3,3	\varnothing 3,75	\varnothing 4,0	\varnothing 5,0	\varnothing 6,0
12 mm	●	●	●	●	●

Compatible “DT” System

(Denti compatible)



Tube-in-tube connection, hexagonal positioning.



Flat platform, perpendicular to the axial direction.



The shaping of the implant head is not always the same in every case, only compatible with the original construction. Customized solutions can be ordered.



The locking screw has a 1,2 mm hexagonal key aperture.



DT Healing cap, narrow



	PLATFORM				
SULCUS HEIGHT (L)	ø 3,3	ø 3,8	ø 4,3	ø 4,8	ø 5,3
2 mm	●	●	●	●	●
4 mm	●	●	●	●	●
6 mm	●	●	●	●	●

DT Healing cap, anatomical



	PLATFORM				
SULCUS HEIGHT (L)	ø 3,3	ø 3,8	ø 4,3	ø 4,8	ø 5,3
2 mm	●	●	●	●	●
4 mm	●	●	●	●	●
6 mm	●	●	●	●	●

DT Narrow head

- straight
- oblique 15°, 25°



		PLATFORM				
HEAD HEIGHT (L)		ø 3,3	ø 3,8	ø 4,3	ø 4,8	ø 5,3
STRAIGHT	OBLIQUE					
7 mm		●	●	●	●	●
9 mm	9 mm	●	●	●	●	●

DT Universal head

- straight
- oblique 15°, 25°



		PLATFORM				
HEAD HEIGHT (L)		ø 3,3	ø 3,8	ø 4,3	ø 4,8	ø 5,3
10 mm		●	●	●	●	●

DT Anatomical head,

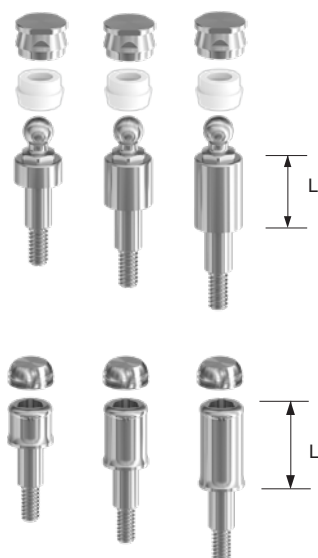
- straight
- oblique 15°, 25°



		PLATFORM				
HEAD HEIGHT (L)		ø 3,3	ø 3,8	ø 4,3	ø 4,8	ø 5,3
STRAIGHT	OBLIQUE					
7 mm		●	●	●	●	●
9 mm	9 mm	●	●	●	●	●

DT Patent head

- Ball-head Normal \varnothing 2,5mm
- Ball-head Micro \varnothing 1,8mm

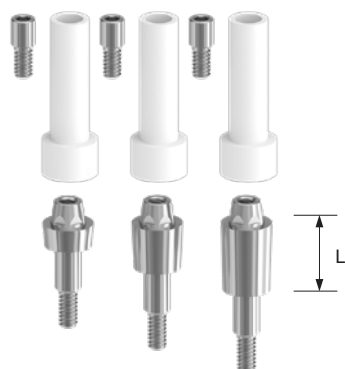


SULCUS HEIGHT (L)	PLATFORM				
	\varnothing 3,3	\varnothing 3,8	\varnothing 4,3	\varnothing 4,8	\varnothing 5,3
0,5 mm	●	●	●	●	●
1 mm	●	●	●	●	●
2 mm	●	●	●	●	●
3 mm	●	●	●	●	●
4 mm	●	●	●	●	●
5 mm	●	●	●	●	●
6 mm	●	●	●	●	●
7 mm	●	●	●	●	●

- Locator head

DT Multi-unit head

- straight



SULCUS HEIGHT (L)	PLATFORM				
	\varnothing 3,3	\varnothing 3,8	\varnothing 4,3	\varnothing 4,8	\varnothing 5,3
0,5 mm	●	●	●	●	●
1 mm	●	●	●	●	●
2 mm	●	●	●	●	●
3 mm	●	●	●	●	●
4 mm	●	●	●	●	●
5 mm	●	●	●	●	●
6 mm	●	●	●	●	●
7 mm	●	●	●	●	●

- oblique



DT Titanium base



HEIGHT (L)	PLATFORM				
	\varnothing 3,3	\varnothing 3,8	\varnothing 4,3	\varnothing 4,8	\varnothing 5,3
	●	●	●	●	●

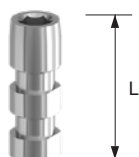
DT Sampling head

- for open spoon
- for closed spoon



HEAD HEIGHT (L)	PLATFORM				
	\varnothing 3,3	\varnothing 3,8	\varnothing 4,3	\varnothing 4,8	\varnothing 5,3
11 mm	●	●	●	●	●

DT Technical implant



HEIGHT (L)	PLATFORM				
	\varnothing 3,3	\varnothing 3,8	\varnothing 4,3	\varnothing 4,8	\varnothing 5,3
12 mm	●	●	●	●	●

Compatible "AS" System

(Astra compatible)



Hexagonal positioning.



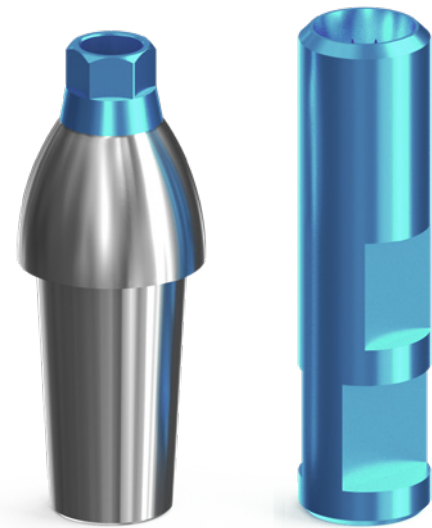
Micromotor-free conical connection.



The design of the implant head is not always the same, only compatible with the original design. Customized solutions can also be ordered.



The 1,2 mm locking screw has a hexagonal key aperture.



AS Healing cap, narrow



	PLATFORM		
SULCUS HEIGHT (L)	ø 3,0	ø 3,5/4,0	ø 4,5/5
2 mm	●	●	●
4 mm	●	●	●
6 mm	●	●	●

AS Healing cap, universal



	PLATFORM		
SULCUS HEIGHT (L)	ø 3,0	ø 3,5/4,0	ø 4,5/5
2 mm	●	●	●
4 mm	●	●	●
6 mm	●	●	●

AS Narrow head

- straight
- oblique 15°, 25°



		PLATFORM		
HEAD HEIGHT (L)		ø 3,0	ø 3,5/4,0	ø 4,5/5,0
STRAIGHT	OBLIQUE			
7 mm	9 mm	●	●	●
9 mm	9 mm	●	●	●

AS Universal head

- straight
- oblique 15°, 25°



		PLATFORM		
HEAD HEIGHT (L)		ø 3,0	ø 3,5/4,0	ø 4,5/5,0
10 mm		●	●	●

AS Anatomical head,

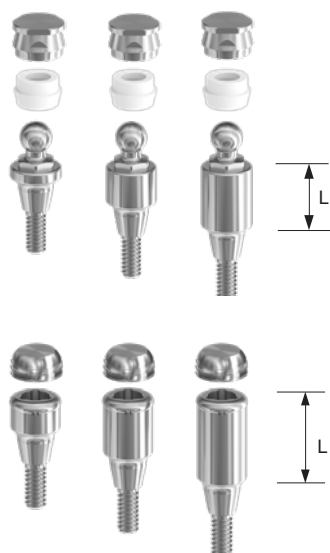
- straight
- oblique 15°, 25°



		PLATFORM		
HEAD HEIGHT (L)		ø 3,0	ø 3,5/4,0	ø 4,5/5,0
STRAIGHT	OBLIQUE			
7 mm	9 mm	●	●	●
9 mm	9 mm	●	●	●

AS Patent head

- Ball-head Normal \varnothing 2,5mm
- Ball-head Micro \varnothing 1,8mm

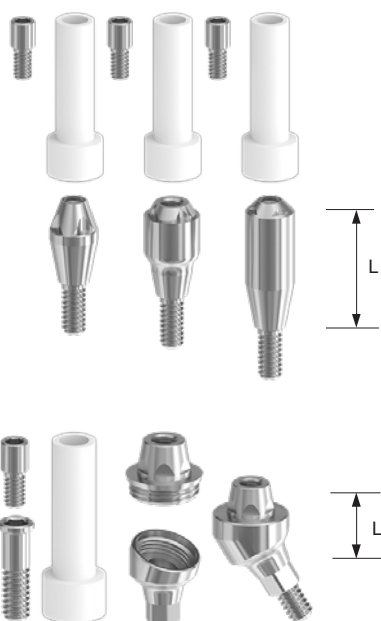


SULCUS HEIGHT (L)	PLATFORM		
	\varnothing 3,0	\varnothing 3,5/4,0	\varnothing 4,5/5,0
0,5 mm	●	●	●
1 mm	●	●	●
2 mm	●	●	●
3 mm	●	●	●
4 mm	●	●	●
5 mm	●	●	●
6 mm	●	●	●
7 mm	●	●	●

• Locator head

AS Multi-unit head

- straight
- 20° cone
- 30° cone
- 40° cone



SULCUS HEIGHT (L)	PLATFORM		
	\varnothing 3,0	\varnothing 3,5/4,0	\varnothing 4,5/5,0
0,5 mm	●	●	●
1 mm	●	●	●
2 mm	●	●	●
3 mm	●	●	●
4 mm	●	●	●
5 mm	●	●	●
6 mm	●	●	●
7 mm	●	●	●

• oblique 20°, 30°

AS Titanium base



HEIGHT (L)	PLATFORM		
	\varnothing 3,0	\varnothing 3,5/4,0	\varnothing 4,5/5,0
	●	●	●

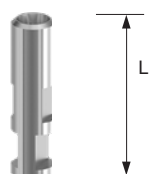
AS Sampling head

- for open spoon
- for closed spoon



HEAD HEIGHT (L)	PLATFORM		
	\varnothing 3,0	\varnothing 3,5/4,0	\varnothing 4,5/5,0
11 mm	●	●	●

AS Technical implant



HEIGHT (L)	PLATFORM		
	\varnothing 3,0	\varnothing 3,5/4,0	\varnothing 4,5/5,0
12 mm	●	●	●

Compatible “TP” System

(ICX Templant compatible)



Hexagonal positioning.



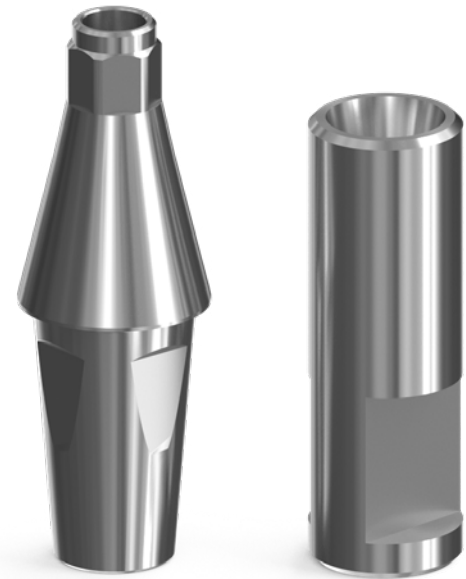
Micromotor-free, conical (90 degree) connection.



The shape of the implant head is not always the same in every case, only compatible with the original construction. Customized solutions can be ordered as well.



The locking screw has a 1,2 mm and hexagonal key aperture.



TP Healing cap, narrow



SULCUS HEIGHT (L)	PLATFORM				
	ø 3,0	ø 3,45	ø 3,75	ø 4,1	ø 4,8
2 mm	○	●	●	●	●
4 mm	○	●	●	●	●
6 mm	○	●	●	●	●

TP Healing cap, universal



SULCUS HEIGHT (L)	PLATFORM				
	ø 3,0	ø 3,45	ø 3,75	ø 4,1	ø 4,8
2 mm	○	●	●	●	●
4 mm	○	●	●	●	●
6 mm	○	●	●	●	●

TP Narrow head

- straight
- oblique 15°, 25°



HEAD HEIGHT (L)		PLATFORM				
		ø 3,0	ø 3,45	ø 3,75	ø 4,1	ø 4,8
STRAIGHT	OBLIQUE					
7 mm		○	●	●	●	●
9 mm	9 mm	○	●	●	●	●

TP Universal head

- straight
- oblique 15°, 25°



HEAD HEIGHT (L)		PLATFORM				
		ø 3,0	ø 3,45	ø 3,75	ø 4,1	ø 4,8
10 mm		○	●	●	●	●

TP Anatomical head,

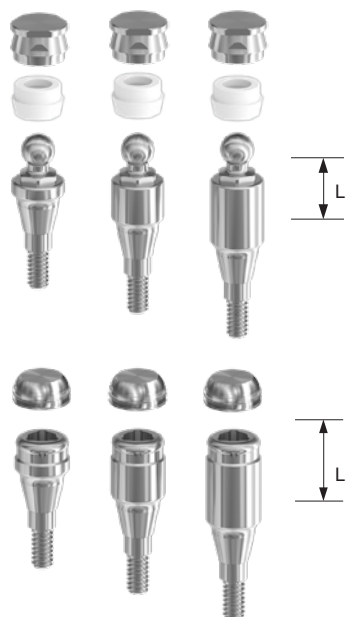
- straight
- oblique 15, 25°



HEAD HEIGHT (L)		PLATFORM				
		ø 3,0	ø 3,45	ø 3,75	ø 4,1	ø 4,8
STRAIGHT	OBLIQUE					
7 mm		○	●	●	●	●
9 mm	9 mm	○	●	●	●	●

TP Patent head

- Ball-head Normal \varnothing 2,5mm
- Ball-head Micro \varnothing 1,8mm

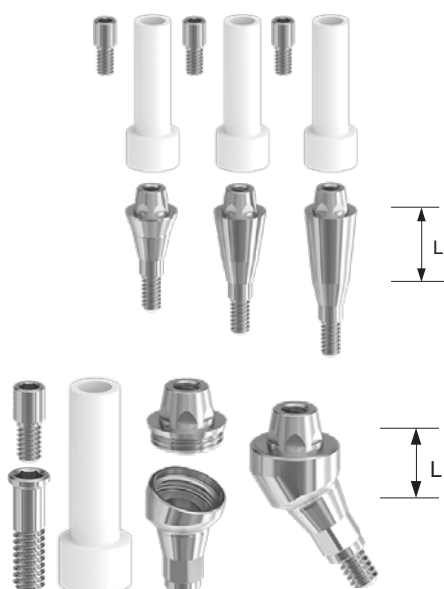


SULCUS HEIGHT (L)	PLATFORM				
	\varnothing 3,0	\varnothing 3,45	\varnothing 3,75	\varnothing 4,1	\varnothing 4,8
0,5 mm	○	●	●	●	●
1 mm	○	●	●	●	●
2 mm	○	●	●	●	●
3 mm	○	●	●	●	●
4 mm	○	●	●	●	●
5 mm	○	●	●	●	●
6 mm	○	●	●	●	●
7 mm	○	●	●	●	●

• Locator head

TP Multi-unit head

- straight



SULCUS HEIGHT (L)	PLATFORM				
	\varnothing 3,0	\varnothing 3,45	\varnothing 3,75	\varnothing 4,1	\varnothing 4,8
0,5 mm	○	●	●	●	●
1 mm	○	●	●	●	●
2 mm	○	●	●	●	●
3 mm	○	●	●	●	●
4 mm	○	●	●	●	●
5 mm	○	●	●	●	●
6 mm	○	●	●	●	●
7 mm	○	●	●	●	●

- oblique

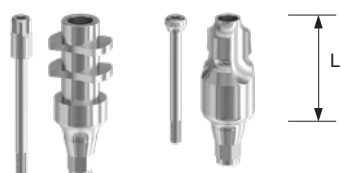
TP Titanium base



HEIGHT (L)	PLATFORM				
	\varnothing 3,0	\varnothing 3,45	\varnothing 3,75	\varnothing 4,1	\varnothing 4,8
	○	●	●	●	●

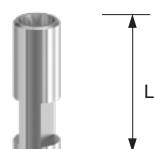
TP Sampling head

- for open spoon
- for closed spoon



HEAD HEIGHT (L)	PLATFORM				
	\varnothing 3,0	\varnothing 3,45	\varnothing 3,75	\varnothing 4,1	\varnothing 4,8
11 mm	○	●	●	●	●

TP Technical implant



HEIGHT (L)	PLATFORM				
	\varnothing 3,0	\varnothing 3,45	\varnothing 3,75	\varnothing 4,1	\varnothing 4,8
12 mm	○	●	●	●	●

Compatible special abutments



Our compatible products include the narrow and wide sewable healing caps and tube heads, locator abutments.

Demands have shown that almost every systems are in need of angle tilted abutments, which are applied mostly for temporary toothworks.

There are other shapes, that are more suitable for other demands as a compatible solution, which provide the corrections of big angles, such as the reverse cone-shaped trapezoidal head and the 45 ° correction can also be provided with the pre-roughed delta head.

Our new development is the MC system, which provides 0-75 ° corrections.

**Sewable
Healing cap**



	SYSTEMS											
SULCUS HEIGHT (L)	PE	RP	CA	CX	ST	BL	AC	CL	BR	DT	AS	TP
4 mm	●	●	●	●	●	●	●	●	●	●	●	●
6 mm	●	●	●	●	●	●	●	●	●	●	●	●

**Cylindrical
head**



	SYSTEMS											
HEAD HEIGHT (L)	PE	RP	CA	CX	ST	BL	AC	CL	BR	DT	AS	TP
10 mm	●	●	●	●	●	●	●	●	●	●	●	●

**Trapezoidal
head**



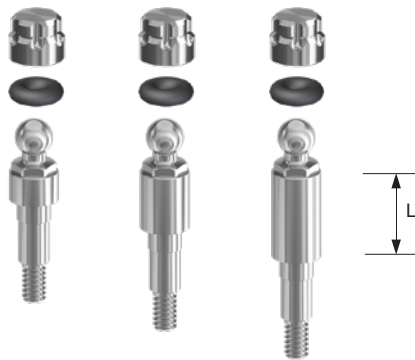
	SYSTEMS											
SULCUS HEIGHT (L)	PE	RP	CA	CX	ST	BL	AC	CL	BR	DT	AS	TP
9 mm	●	●	●	●	●	●	●	●	●	●	●	●
11 mm	●	●	●	●	●	●	●	●	●	●	●	●
13 mm	●	●	●	●	●	●	●	●	●	●	●	●

Delta head



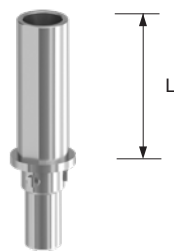
	SYSTEMS											
SULCUS HEIGHT (L)	PE	RP	CA	CX	ST	BL	AC	CL	BR	DT	AS	TP
9 mm	●	●	●	●	●	●	●	●	●	●	●	●
11 mm	●	●	●	●	●	●	●	●	●	●	●	●
13 mm	●	●	●	●	●	●	●	●	●	●	●	●

O-ringed patent head



SULCUS HEIGHT (L)	SYSTEMS											
	PE	RP	CA	CX	ST	BL	AC	CL	BR	DT	AS	TP
0,5 mm	●	●	●	●	●	●	●	●	●	●	●	●
1 mm	●	●	●	●	●	●	●	●	●	●	●	●
2 mm	●	●	●	●	●	●	●	●	●	●	●	●
3 mm	●	●	●	●	●	●	●	●	●	●	●	●
4 mm	●	●	●	●	●	●	●	●	●	●	●	●
5 mm	●	●	●	●	●	●	●	●	●	●	●	●
6 mm	●	●	●	●	●	●	●	●	●	●	●	●
7 mm	●	●	●	●	●	●	●	●	●	●	●	●

Tube head



HEAD HEIGHT (L)	SYSTEMS											
	PE	RP	CA	CX	ST	BL	AC	CL	BR	DT	AS	TP
10 mm	●	●	●	●	●	●	●	●	●	●	●	●

Multi-unit head, outer conical, through-bolt



SULCUS HEIGHT (L)	SYSTEMS											
	PE	RP	CA	CX	ST	BL	AC	CL	BR	DT	AS	TP
0,5 mm	●	●	●	●	●	●	●	●	●	●	●	●
1 mm	●	●	●	●	●	●	●	●	●	●	●	●
2 mm	●	●	●	●	●	●	●	●	●	●	●	●
3 mm	●	●	●	●	●	●	●	●	●	●	●	●
4 mm	●	●	●	●	●	●	●	●	●	●	●	●
5 mm	●	●	●	●	●	●	●	●	●	●	●	●
6 mm	●	●	●	●	●	●	●	●	●	●	●	●
7 mm	●	●	●	●	●	●	●	●	●	●	●	●



BIONIKA
DENTAL IMPLANTS

EXCELLENT QUALITY • FAVORABLE PRICES



+36 70 670-6875





Company, Product features



Compatible "PE" System



Compatible "RP" System



Compatible "CA" System



Compatible "CX" System



Compatible "ST" System



Compatible "BL" System



Compatible "AC" System



Compatible "CL" System



Compatible "BR" System



Compatible "DT" System



Compatible "AS" System



Compatible "TP" System



Compatible Special abutments



BIONIKA Medline kft. • +36 70 670-6875

3516 Miskolc, Tégla u. 29. • www.bionika.hu • www.implantshop.hu • info@bionika.hu